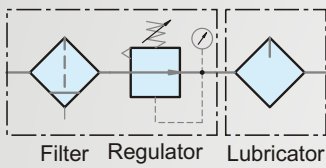


Symbol



Features

- * Remove water and particle effectively.
- * 40 μm and 5 μm filter element are easily interchangeable and replaceable.
- * Accurate and easy pressure setting.
- * Lubricator oil can be replenished without stopping air supply.
- * Oil spray in mist ensures good lubrication for machines.
- * Anti-acid & alkali bowl and aluminum bowl provide excellent protection in organic chemistry working environments. (Please contact our sales for more enquires.)



How to order

UFR/L - 02		N	C	D	A	SB					
F.R.L combination	Port size	Thread		Filtration		Drain		Bowl		Spacer block	
Filter Regulator +Lubricator	02	1/4"	Blank	PS	Blank	5 μm	Blank	Semi-auto drain	Blank	Standard bowl	
	03	3/8"	N	NPT	C	40 μm	H	Manual drain	A	Anti-acid & alkali bowl	
	04	1/2"					D	Auto drain	AL	Aluminum bowl (1/4"~1/2")	
	06	3/4"									
	08	1"									

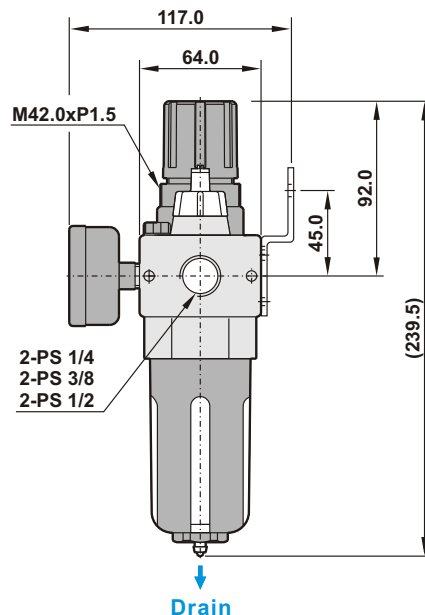
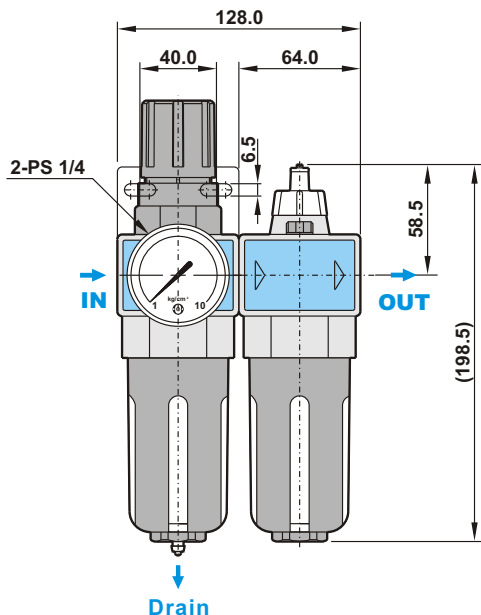
Specifications

※ Note: Please see page 1-51 for ordering spacer block separately.

Model	UFR/L-02	UFR/L-03	UFR/L-04	UFR/L-06	UFR/L-08
Port size	1/4"	3/8"	1/2"	3/4"	1"
Fluid	Compressed air				
Regulator construction	PistonNo				
Body material	Aluminum die-cast				
Bowl material	Polycarbonate (Standard), Anti-acid & alkali bowl (Option), Aluminum bowl (Option)				
Filtration	5 μm (Standard) - 40 μm (Option)				
Operating pressure range	0.5 ~ 10 kgf/cm ²				
Max. operating pressure (Standard bowl)	15 kgf/cm ²				
Max. flow rate l/min (6kgf/cm ²)	2080	2100	2600	7940	8200
Ambient temperature	-10 $^{\circ}\text{C}$ ~ 60 $^{\circ}\text{C}$				
Lubricator oil (Recommended)	ISO-VG32				
Filter bowl capacity	105cc			210cc	
Lubricator bowl capacity	125cc			235cc	
Standard drain	Semi-auto drain (Drains below 0.5kgf/cm ²)				
Net weight	1480g (AL Aluminum bowl 1780g)			2145g	
Accessories	Pressure gauge, Mounting bracket, Plug, Screw x 4				

Dimensions

UFR/L-02, 03, 04



UFR/L-06, 08

